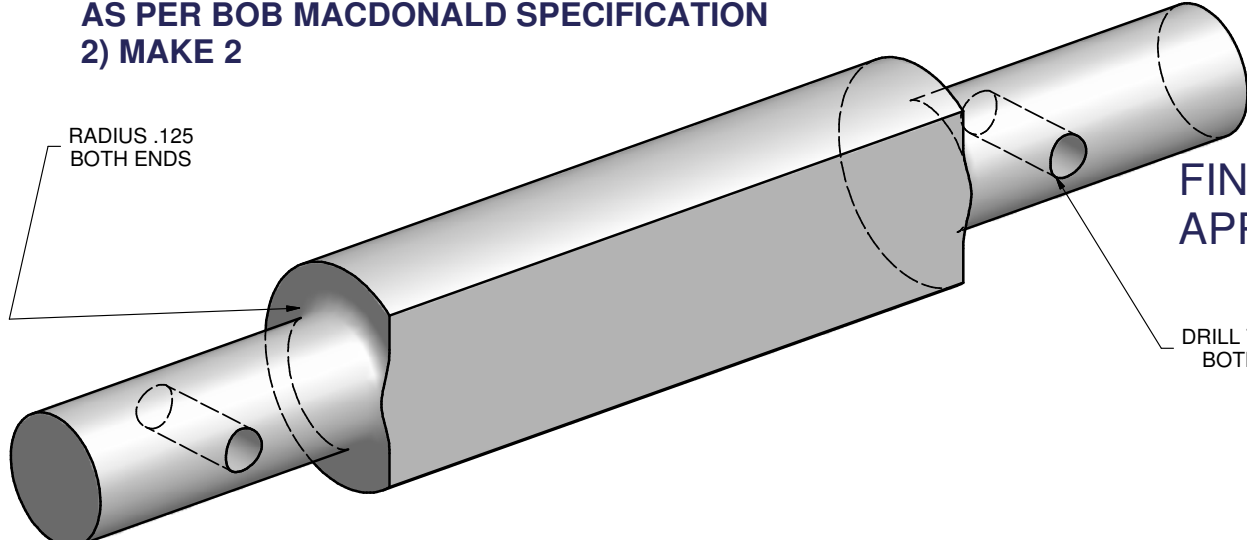


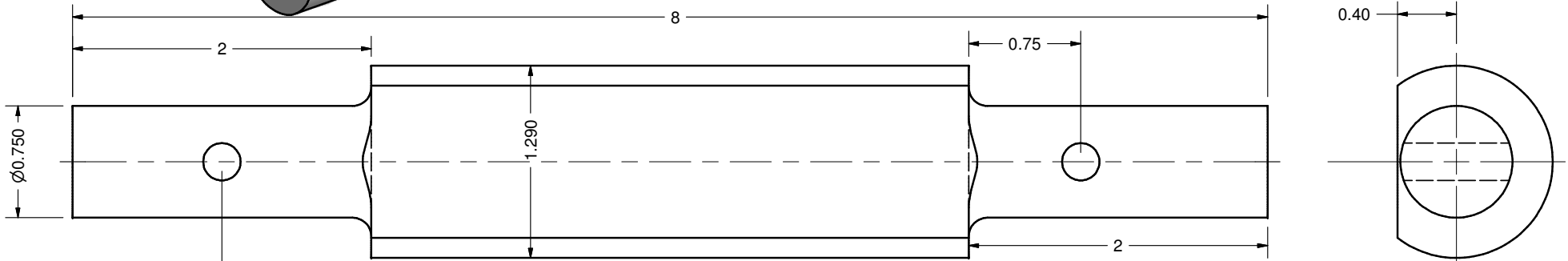
REVISED AEROQUIP DESIGN:
ALL DRAWINGS PREDATING
THIS DRAWING ARE OBSOLETE

NOTES:
1) MATERIAL IS POLYURETHANE
AS PER BOB MACDONALD SPECIFICATION
2) MAKE 2

REVISION HISTORY				
ZONE	REV	DESCRIPTION	DATE	APPROVED
	1	ADDED .125 RADIUS TO PREVENT TEARING	1/20/2011	



**FINAL DRAWING
APPROVED: JPC**



TOLERANCES:
(UNLESS SPECIFIED
OTHERWISE)
.X = ± .030
.XX = ± .010
.XXX = ± .005
A/B = ± .0625
X' = ± 1'

DRAWN	DC	1/31/2011
CHECKED	MW	
MFG		
APPROVED		

University of Hawaii-SOEST		
TITLE		
Quick Conect Handle Risers		
SIZE	DWG NO	REV
B	QC-HandleRisersRev1	1
SCALE	SHEET 1 OF 1	