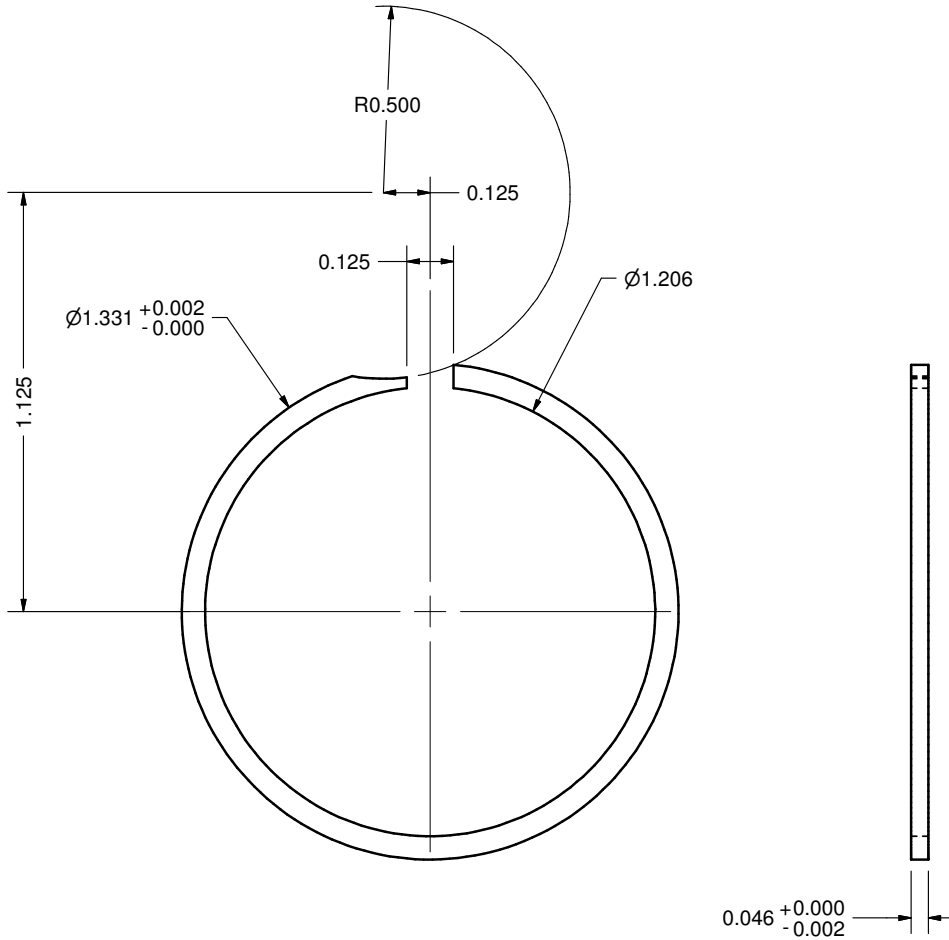


REVISED AEROQUIP DESIGN:
ALL DRAWINGS PREDATING
THIS DRAWING ARE OBSOLETE

- NOTES:
1) MATERIAL: 6AL4V TITANIUM
2) MAKE 1
3) PART ID CAN BE INCREASED IF INSTALLATION IS DIFFICULT (CONSULT WITH ENGINEERING)

FINAL DRAWING
APPROVED: JPC



TOLERANCES: (UNLESS SPECIFIED OTHERWISE) .X = $\pm .030$.XX = $\pm .010$.XXX = $\pm .005$ A/B = $\pm .0625$ X' = $\pm 1'$	DRAWN	1/31/2011	University of Hawaii-SOEST		
	DC				
	CHECKED		TITLE		
	IMFG				
	APPROVED		Geo Microbe Titanium Quick Disconnect Inner Snap Rings		
			SIZE	DWG NO	REV
			B	QDInnerRing	0
			SCALE	SHEET 1 OF 1	