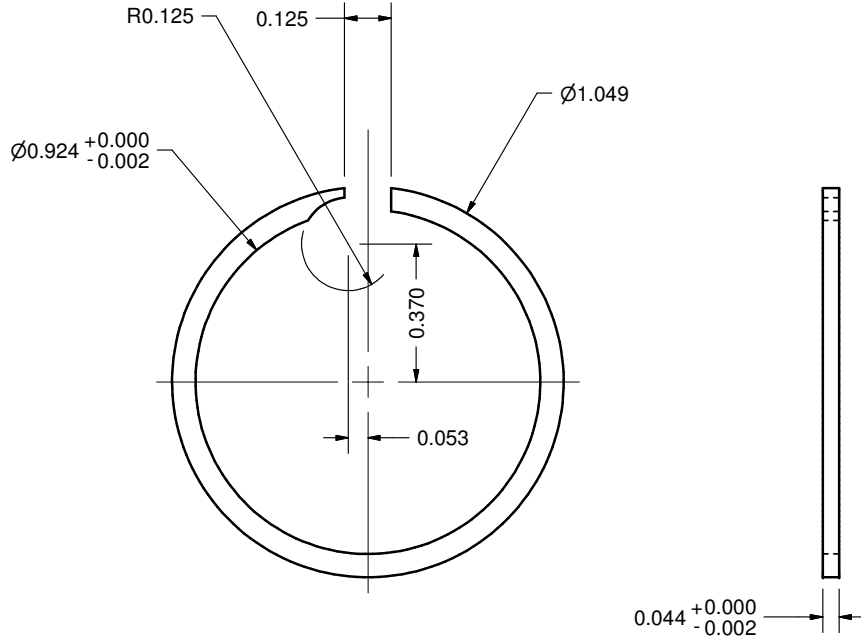


REVISED AEROQUIP DESIGN:  
ALL DRAWINGS PREDATING  
THIS DRAWING ARE OBSOLETE

- NOTES:  
1) MATERIAL: 6AL4V TITANIUM  
2) MAKE 1  
3) PART OD CAN BE DECREASED IF INSTALLATION  
IS DIFFICULT (CONSULT WITH ENGINEERING)

FINAL DRAWING  
APPROVED: JPC



TOLERANCES: (UNLESS SPECIFIED OTHERWISE) .X = ± .030 .XX = ± .010 .XXX = ± .005 A/B = ± .0625 X' = ± 1'	DRAWN	DC	1/31/2011	University of Hawaii-SOEST	
	CHECKED				
	IMFG			TITLE	
	APPROVED			Geo Microbe Titanium Quick Disconnect Outer Snap Rings	
				SIZE	DWG NO
			B	QDOuterRing	0
			SCALE	SHEET 1 OF 1	