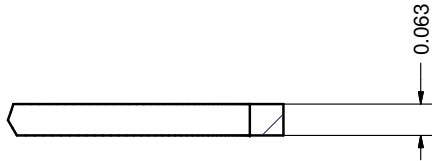
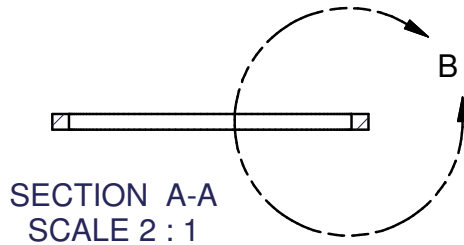
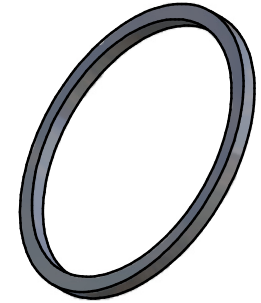
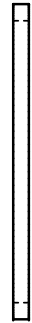
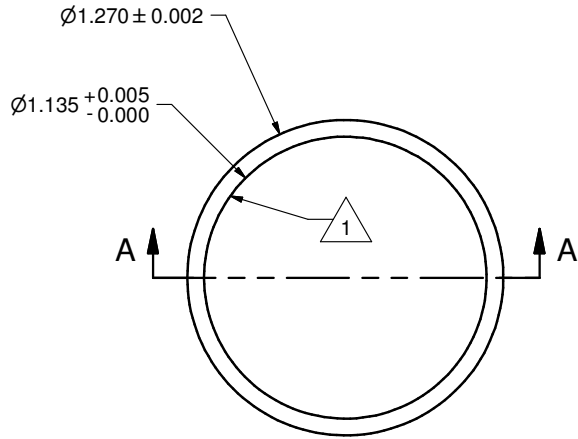


REVISED AEROQUIP DESIGN:
ALL DRAWINGS PREDATING
THIS DRAWING ARE OBSOLETE

FINAL DRAWING
APPROVED: JPC

REVISION HISTORY				
ZONE	REV	DESCRIPTION	DATE	APPROVED
	1	INCREASED FROM .114 TO .135	1/31/2011	

- NOTES:
 1) MAKE 1 GR2 TITANIUM PART, TIODIZE TYPE IV
 2) MAKE 2 316SS PARTS
 3) BREAK ALL EDGES .005 APPROX



TOLERANCES: (UNLESS SPECIFIED OTHERWISE) .X = ± .030 .XX = ± .010 .XXX = ± .005 A/B = ± .0625 X' = ± 1'	DRAWN	1/31/2011	University of Hawaii-SOEST	
	DC			
	CHECKED		TITLE	
	IMFG			
APPROVED		Geomicrobe Quick Disconnect Spring Washer		
	SIZE	DWG NO	REV	
	B	Q.D. Spring WasherRev1	1	
	SCALE	SHEET 1 OF 1		