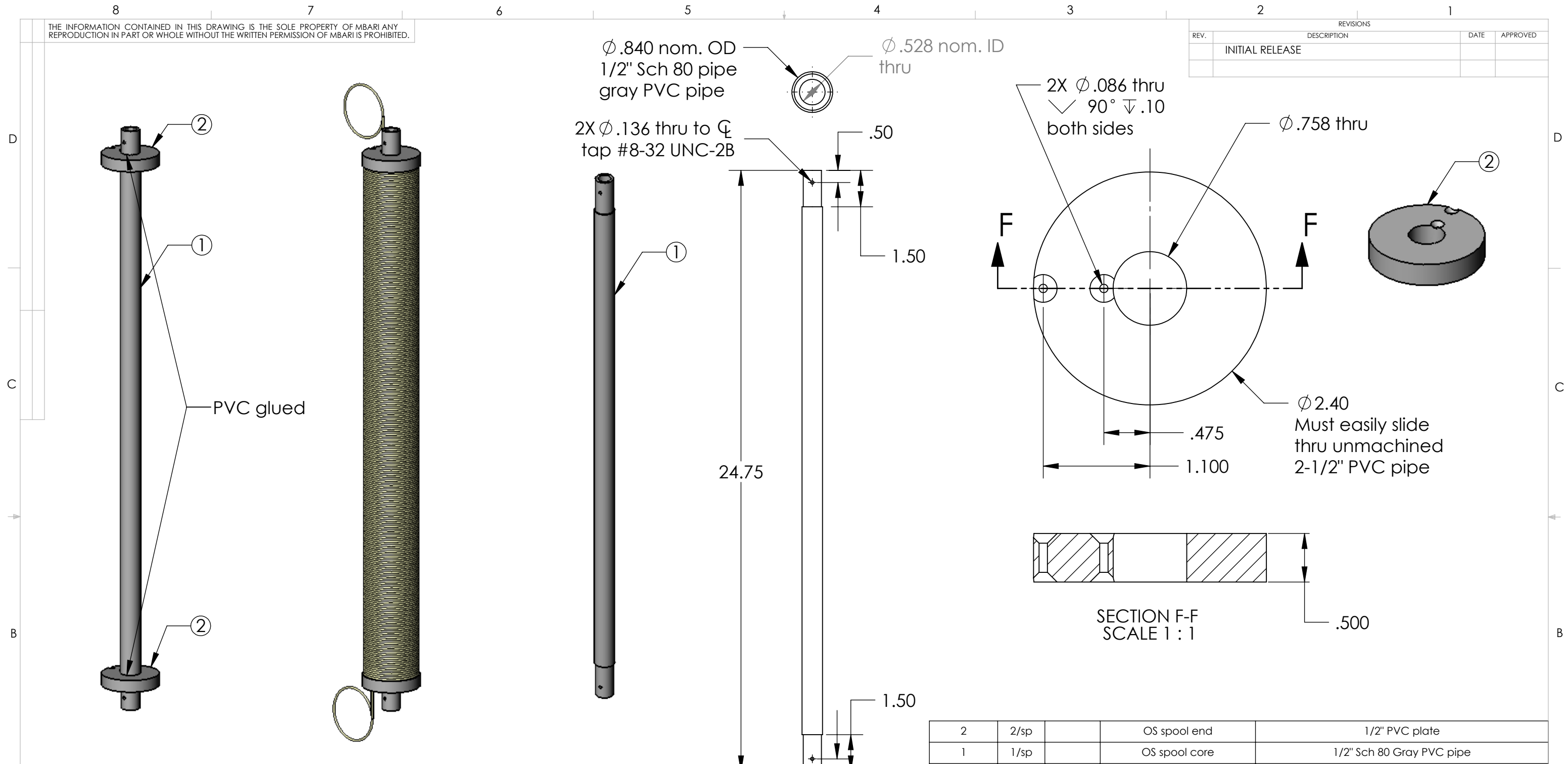


THE INFORMATION CONTAINED IN THIS DRAWING IS THE SOLE PROPERTY OF MBARI ANY REPRODUCTION IN PART OR WHOLE WITHOUT THE WRITTEN PERMISSION OF MBARI IS PROHIBITED.

REVISIONS			
REV.	DESCRIPTION	DATE	APPROVED
	INITIAL RELEASE		




**Sample Spool (A1)**  
PVC-glued spool  
Holes clocked to within 15°

**Sample Coil Assembly (A2 and A3)**  
Sample spool wrapped with either ~1000 ft of .082" OD/.047" ID Teflon tubing (A2) or Copper tubing (A3)  
Coils has 9 layers with about 2 to 3 ft exposed at each end.  
Tubing should not be stretched, kinked or otherwise damaged.

Item No.	Qty	Part No.	Description	Material Specification
2	2/sp		OS spool end	1/2" PVC plate
1	1/sp		OS spool core	1/2" Sch 80 Gray PVC pipe
A3	1		OS Copper Sample Coil	wound with ~1000 ft of .082/.047 OD/ID copper tubing
A2	1		OS Teflon Sample Coil	wound with ~1000 ft of .082/.047 OD/ID Teflon tubing
A1	1		OS sample spool	Assembly rigidly glued

**Bill of Materials**

Shop / Q.C.	UNLESS OTHERWISE SPECIFIED TOLERANCES ARE:	APPROVALS	DATE	<b>Monterey Bay Aquarium Research Institute</b> <b>MBARI</b> <b>7700 Sandholdt RD.</b> <b>Moss Landing, CA 95039</b> <b>PH: (831) 775-1700</b> 
Inspector	1 PLACE DIM $\pm 1/16$	DRAWN	06/12/09	
Shop Foreman	2 PLACE DIM $\pm .02$	Hans Jannasch	ENGINEER	
Engineer	3 PLACE DIM $\pm .005$	CHECKED		
NEXT ASSY Description	ANGLES $\pm 1^\circ$	PROJECT NO.		
NEXT ASSY Number	1. DIMENSIONS ARE IN INCHES	PROJECT	NSF OsmoSamplers	
Application	2. DIMENSION LIMITS HELD AFTER PLATING.	WEIGHT		SIZE B DWG. NO. 232jaha-pvcOS-JdF-2009 SCALE 1:3 CAD FILE: Tornado/chem/SWfiles SHEET 1 OF 1

3. REMOVE BURRS AND SHARP EDGES .015 MAX.  
 4. MACHINED FILLET RADII .0150-.030.  
 5. MACHINED DIAMETERS ON A COMMON CENTERLINE CONCENTRIC WITHIN .005  
 6. PERPENDICULARITY & PARALLELISM OF MACHINED SURFACES .002 PER INCH. MAX .012 INCHES FOR SINGLE SURFACE.

DO NOT SCALE DRAWING