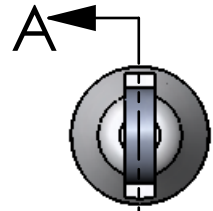
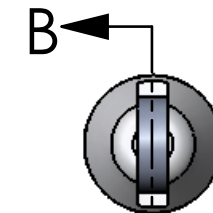


THE INFORMATION CONTAINED IN THIS DRAWING IS THE SOLE PROPERTY OF MBARI ANY REPRODUCTION IN PART OR WHOLE WITHOUT THE WRITTEN PERMISSION OF MBARI IS PROHIBITED.

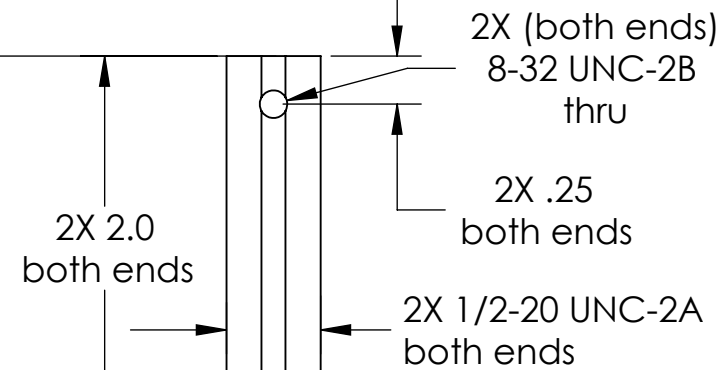
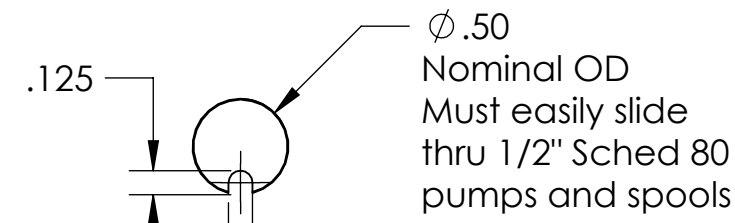
REVISIONS			
REV.	DESCRIPTION	DATE	APPROVED
	INITIAL RELEASE		



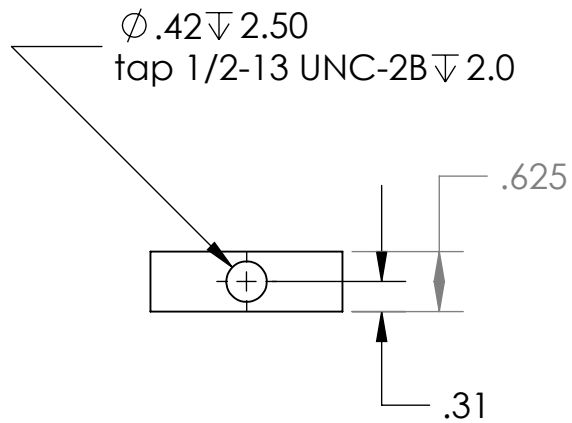
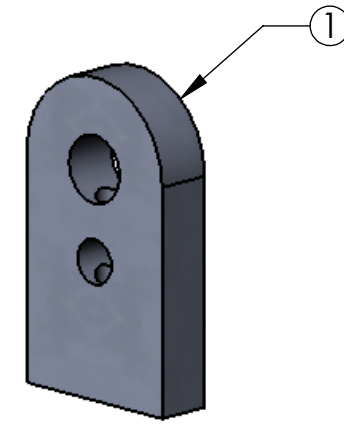
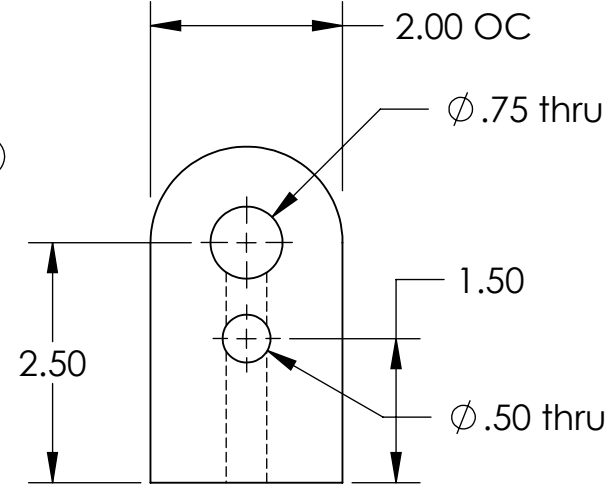
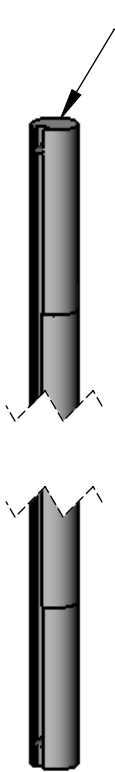
SECTION A-A
SCALE 1 : 15
Standard OsmoSampler with four coils



SECTION B-B
SCALE 1 : 15
Acid-Addition OsmoSampler with six coils




Config A: 126.0
Config B: 199.75



Item No.	Qty	Part No.	Description	Material Specification
7	4		Shackle sleeve	1-1/2" Delrin Rod
6	1 or 4		Coupler	3" PVC Rod
5	2		Endcap	3" PVC Rod
4	0 or 2		One coil housing	2-1/2" Clear Sch-40 PVC pipe
3	1		Four coil housing	2-1/2" Clear Sch-40 PVC pipe
2	1		Strength member	1/2" 316 Stainless Steel rod
1	2		Shackle Plate	1/2" 316 Stainless Steel plate

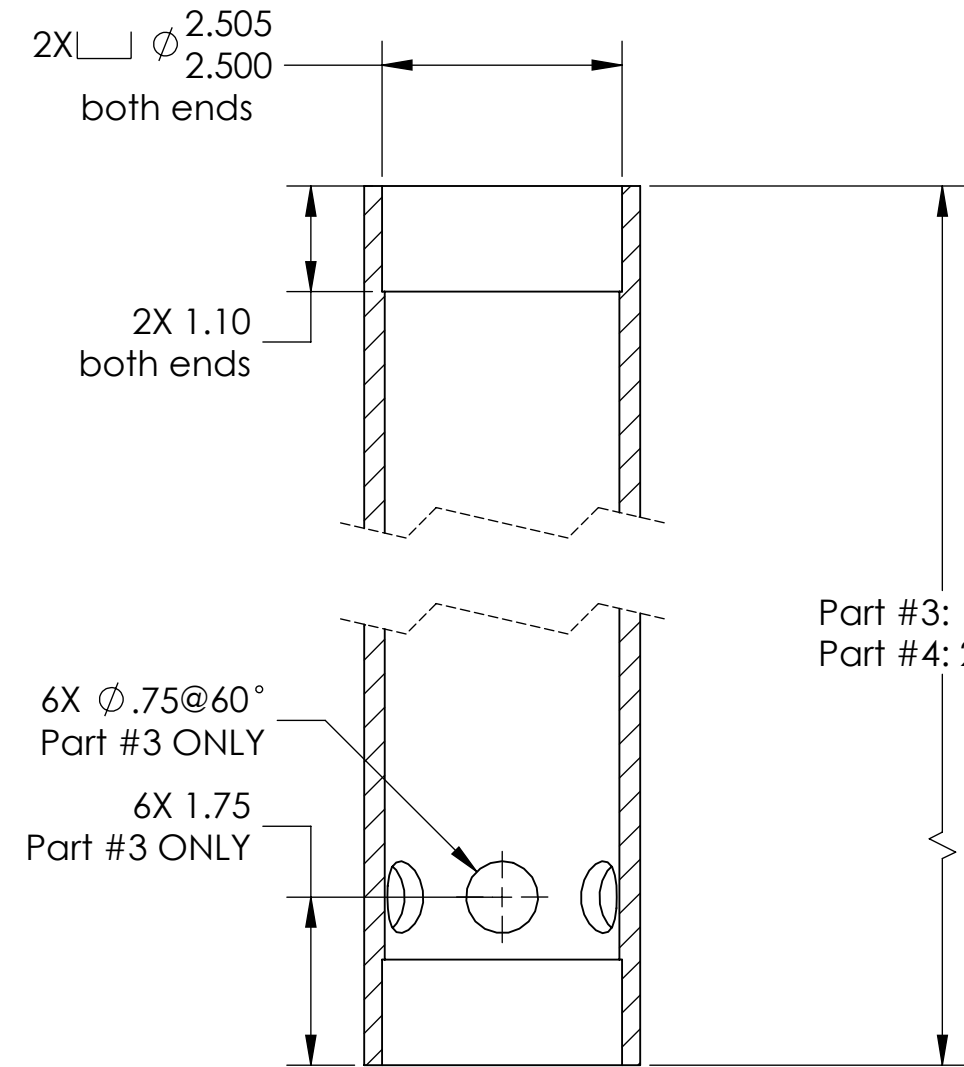
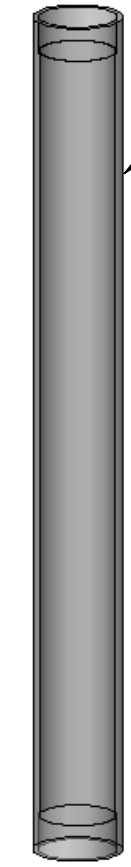
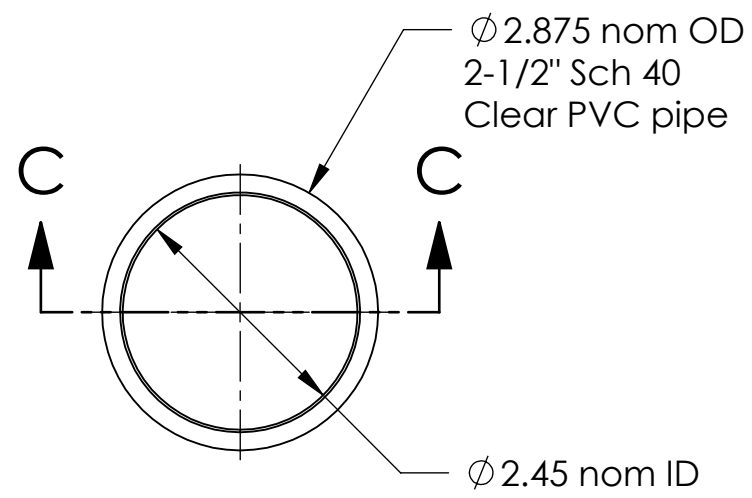
Bill of Materials

Shop / Q.C.	UNLESS OTHERWISE SPECIFIED TOLERANCES ARE:	APPROVALS	DATE	Monterey Bay Aquarium Research Institute MBARI 7700 Sandholdt RD. Moss Landing, CA 95039 PH: (831) 775-1700 
Inspector	1 PLACE DIM ±.1/16	DRAWN	06/12/09	
Shop Foreman	2 PLACE DIM ±.02	Hans Jannasch	ENGINEER	
Engineer	3 PLACE DIM ±.005	CHECKED		
NEXT ASSY Description	ANGLES ±1°	PROJECT NO.		
NEXT ASSY Number	1. DIMENSIONS ARE IN INCHES 2. DIMENSION LIMITS HELD AFTER PLATING. 3. REMOVE BURRS AND SHARP EDGES .015 MAX. 4. MACHINED FILLET RADII .0150-.030. 5. MACHINED DIAMETERS ON A COMMON CENTERLINE CONCENTRIC WITHIN .005 6. PERPENDICULARITY & PARALLELISM OF MACHINED SURFACES .002 PER INCH. MAX .012 INCHES FOR SINGLE SURFACE.	PROJECT	NSF OsmoSamplers	
Application	DO NOT SCALE DRAWING	WEIGHT		

SIZE B DWG. NO. 233jaha-pvcOS-JdF-2009 REV. SCALE 1:3 CAD FILE: Tomado/chem/SWfiles SHEET 1 OF 3


THE INFORMATION CONTAINED IN THIS DRAWING IS THE SOLE PROPERTY OF MBARI ANY REPRODUCTION IN PART OR WHOLE WITHOUT THE WRITTEN PERMISSION OF MBARI IS PROHIBITED.

REVISIONS			
REV.	DESCRIPTION	DATE	APPROVED
	INITIAL RELEASE		



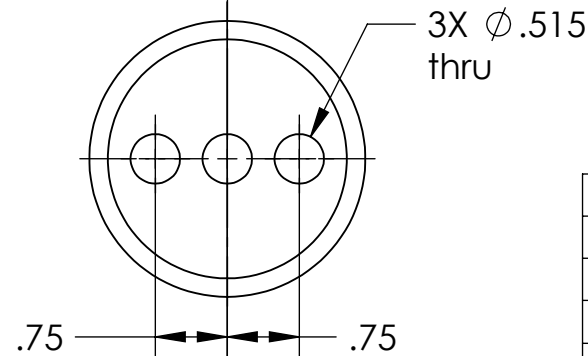
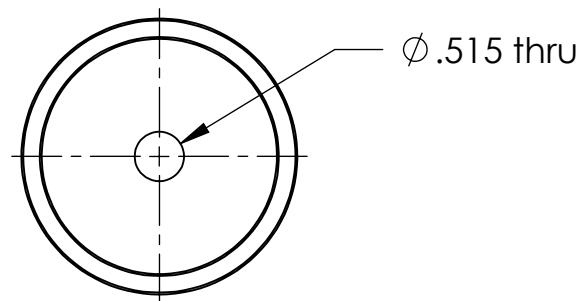
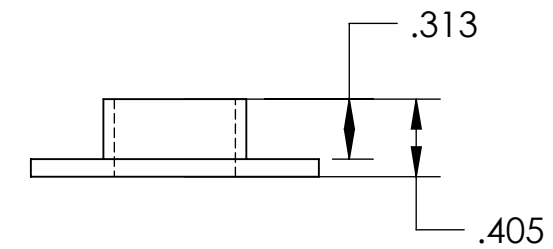
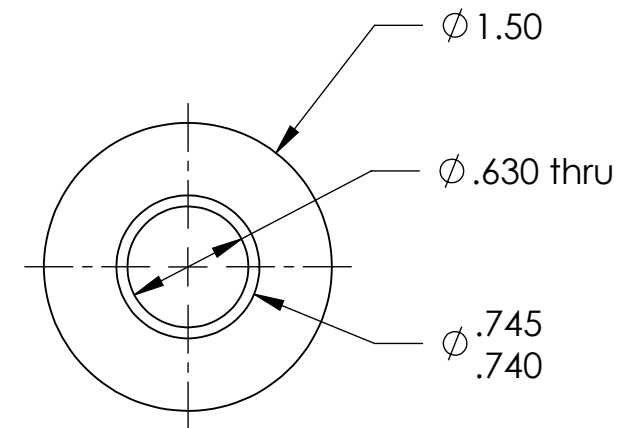
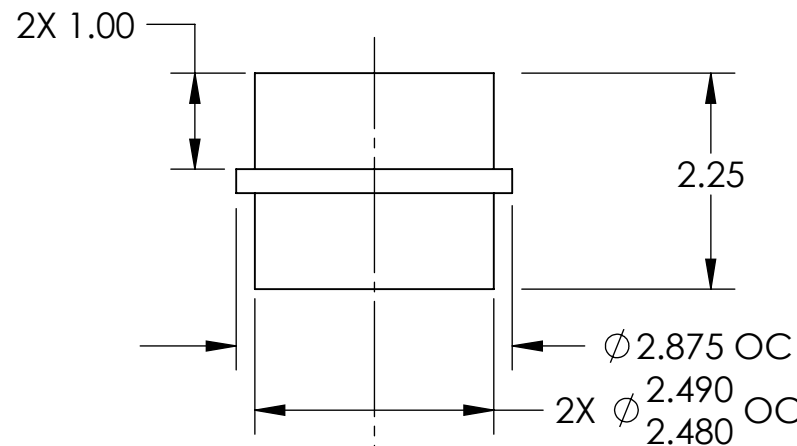
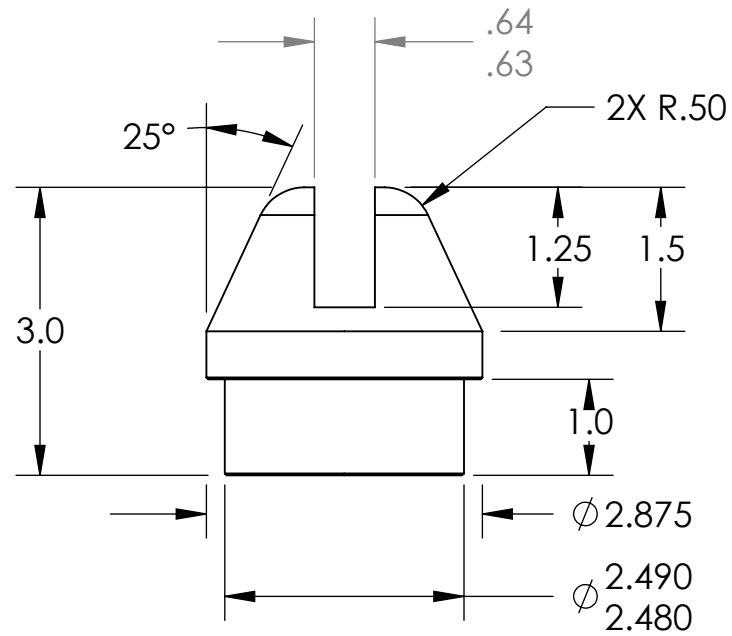
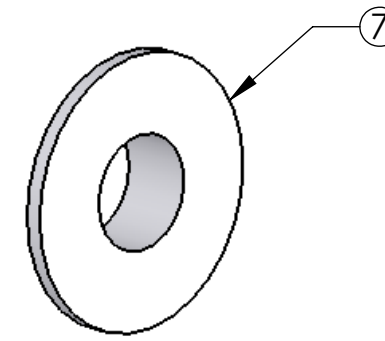
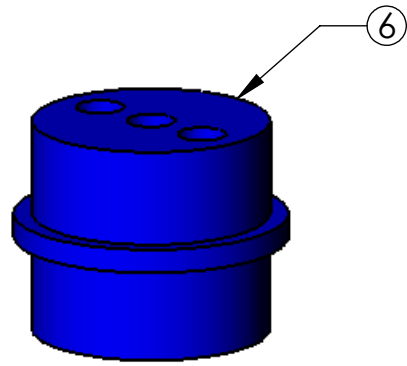
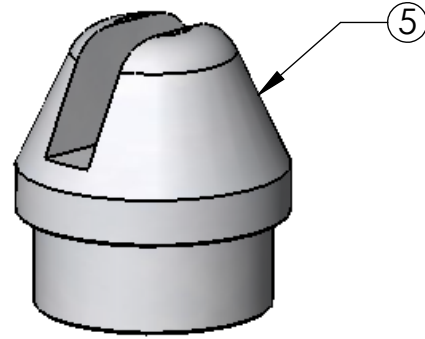
Item No.	Qty	Part No.	Description	Material Specification
4	0 or 2		One coil housing	2-1/2" Clear Sch-40 PVC pipe
3	1		Four coil housing	2-1/2" Clear Sch-40 PVC pipe

Bill of Materials

Shop / Q.C.	UNLESS OTHERWISE SPECIFIED TOLERANCES ARE:	APPROVALS	DATE	Monterey Bay Aquarium Research Institute MBARI 7700 Sandholdt RD. Moss Landing, CA 95039 PH: (831) 775-1700 	
Inspector	1 PLACE DIM $\pm 1/16$	DRAWN	06/12/09		
Shop Foreman	2 PLACE DIM $\pm .02$	Hans Jannasch	ENGINEER		
Engineer	3 PLACE DIM $\pm .005$	CHECKED			
NEXT ASSY Description	ANGLES $\pm 1^\circ$	PROJECT NO.			
NEXT ASSY Number	1. DIMENSIONS ARE IN INCHES 2. DIMENSION LIMITS HELD AFTER PLATING. 3. REMOVE BURRS AND SHARP EDGES .015 MAX. 4. MACHINED FILLET RADII .0150-.030. 5. MACHINED DIAMETERS ON A COMMON CENTERLINE CONCENTRIC WITHIN .005 6. PERPENDICULARITY & PARALLELISM OF MACHINED SURFACES .002 PER INCH. MAX .012 INCHES FOR SINGLE SURFACE.	PROJECT	NSF OsmoSamplers		
Application	DO NOT SCALE DRAWING	WEIGHT		PVC OsmoSampler Housings (for Juan de Fuca 2009)	
		SIZE	DWG. NO.	REV.	
		B	233jaha-pvcOS-JdF-2009		
		SCALE	1:3	CAD FILE: Tomado/chem/SWfiles	SHEET 2 OF 3


THE INFORMATION CONTAINED IN THIS DRAWING IS THE SOLE PROPERTY OF MBARI ANY REPRODUCTION IN PART OR WHOLE WITHOUT THE WRITTEN PERMISSION OF MBARI IS PROHIBITED.

REVISIONS			
REV.	DESCRIPTION	DATE	APPROVED
	INITIAL RELEASE		



Item No.	Qty	Part No.	Description	Material Specification
7	4		Shackle sleeve	1-1/2" Delrin Rod
6	1 or 4		Coupler	3" PVC Rod
5	2		Endcap	3" PVC Rod

Bill of Materials

Shop / Q.C.	UNLESS OTHERWISE SPECIFIED TOLERANCES ARE:	APPROVALS	DATE	Monterey Bay Aquarium Research Institute MBARI 7700 Sandholdt RD. Moss Landing, CA 95039 PH: (831) 775-1700 
Inspector	1 PLACE DIM ±.1/16	DRAWN	06/12/09	
Shop Foreman	2 PLACE DIM ±.02	ENGINEER		
Engineer	3 PLACE DIM ±.005	CHECKED		
NEXT ASSY Description	ANGLES ±1°	PROJECT NO.		
NEXT ASSY Number	1. DIMENSIONS ARE IN INCHES	PROJECT	NSF OsmoSamplers	PVC OsmoSampler Housings (for Juan de Fuca 2009)
Application	2. DIMENSION LIMITS HELD AFTER PLATING.	WEIGHT		SIZE B DWG. NO. 233jaha-pvcOS-JdF-2009 REV.
	3. REMOVE BURRS AND SHARP EDGES .015 MAX.			SCALE 1:3 CAD FILE: Tomado/chem/SWfiles SHEET 3 OF 3
	4. MACHINED FILLET RADII .0150-.030.			
	5. MACHINED DIAMETERS ON A COMMON CENTERLINE CONCENTRIC WITHIN .005			
	6. PERPENDICULARITY & PARALLELISM OF MACHINED SURFACES .002 PER INCH. MAX .012 INCHES FOR SINGLE SURFACE.			