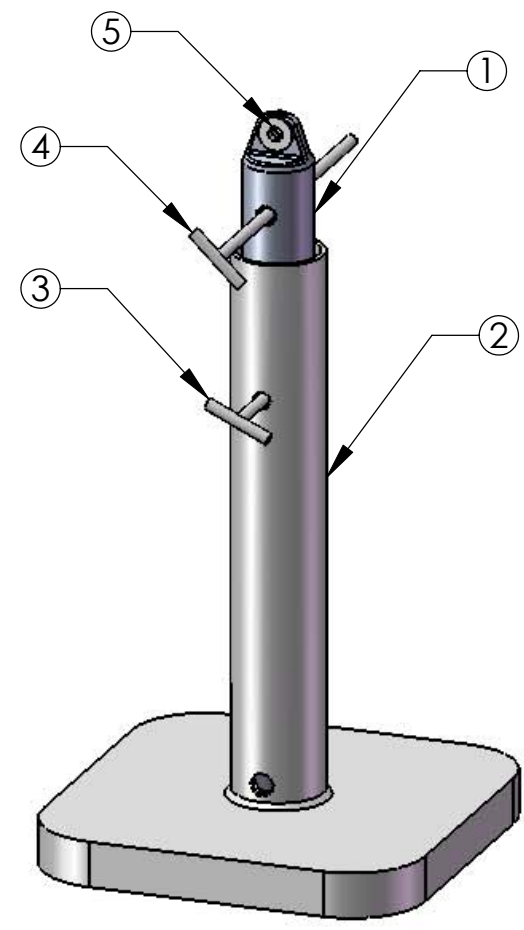
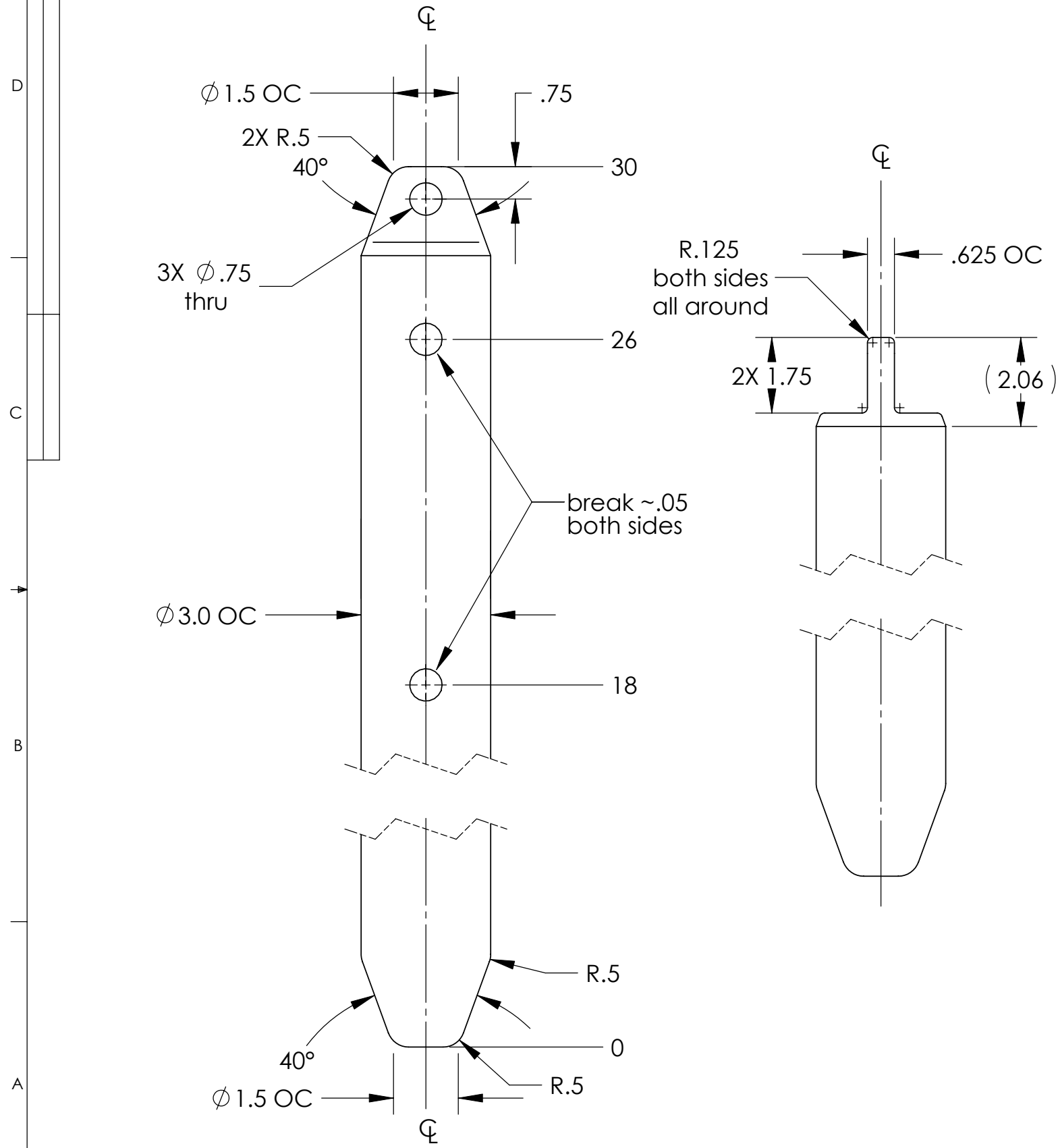


THE INFORMATION CONTAINED IN THIS DRAWING IS THE SOLE PROPERTY OF MBARI ANY REPRODUCTION IN PART OR WHOLE WITHOUT THE WRITTEN PERMISSION OF MBARI IS PROHIBITED.

REVISIONS			
REV.	DESCRIPTION	DATE	APPROVED
	INITIAL RELEASE		
A	Drop weight pipe size increased	5/30/08	HWJ



Downhole Redeployment Weights
 Sinkerbar: 58 lbs. in air / 50 lbs in seawater
 Drop Weight: 173 lbs. in air / 150 lbs in seawater

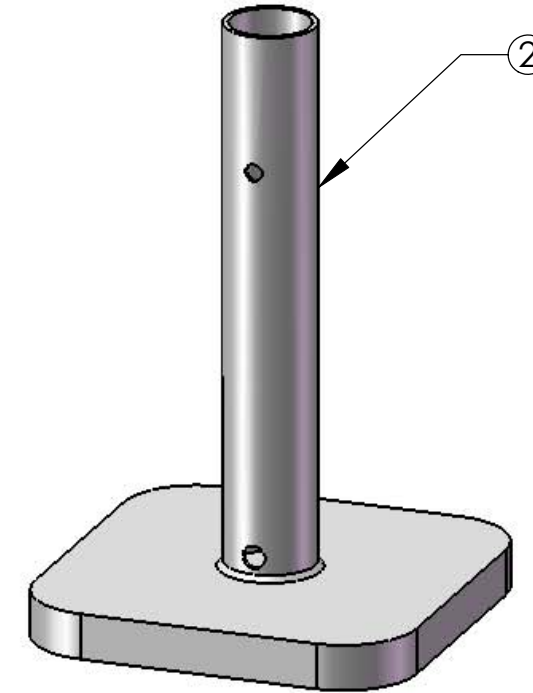
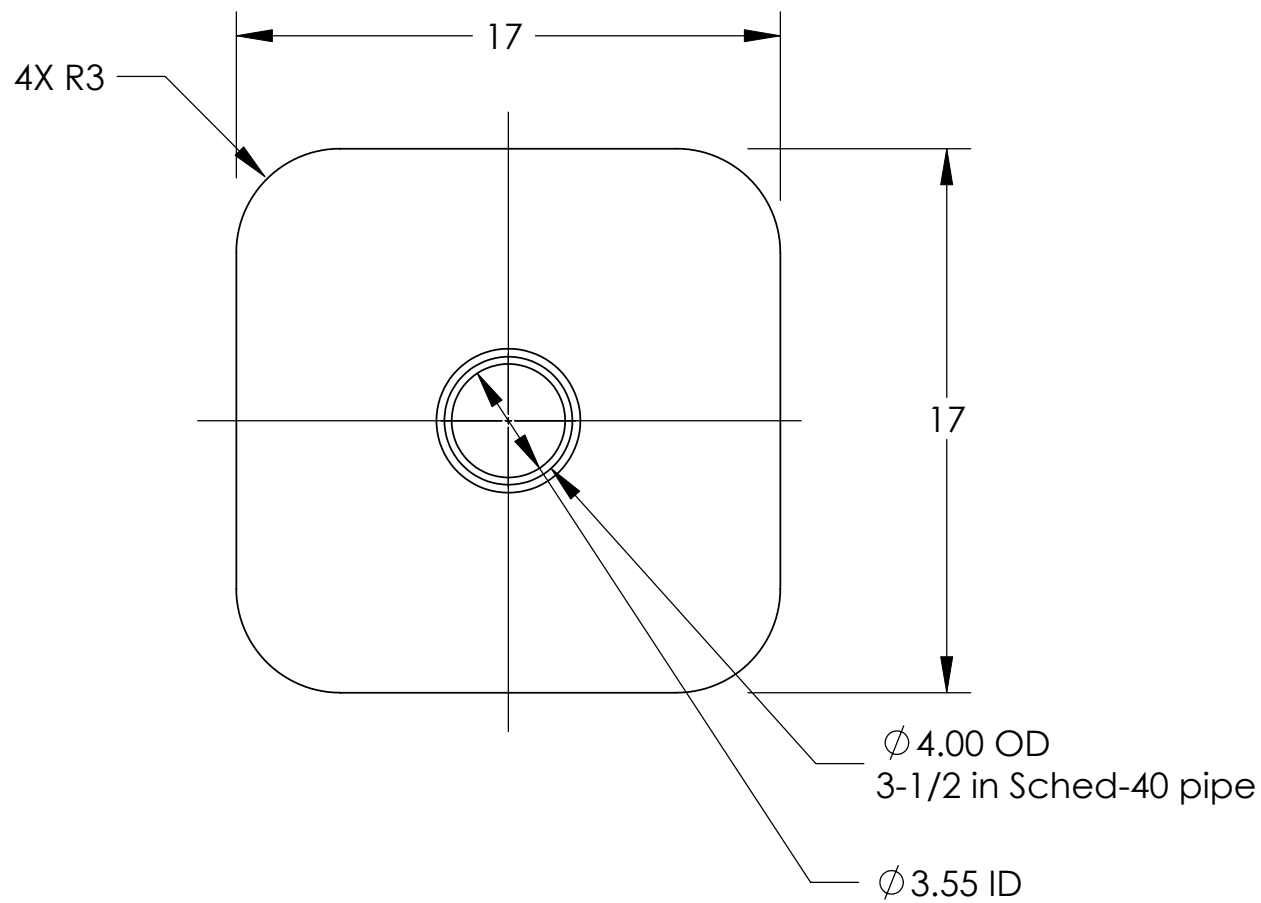
Item No.	Qty	Part No.	Description	Material Specification
5	2		Shackle sleeve	Delrin
4	1		T-handle (16 in)	1/2" 316 Stainless rod
3	1		T-handle (10 in)	1/2" 316 Stainless rod
2	1		Drop Weight	steel
1	1		Sinker Bar	3" Stainless Steel

Bill of Materials

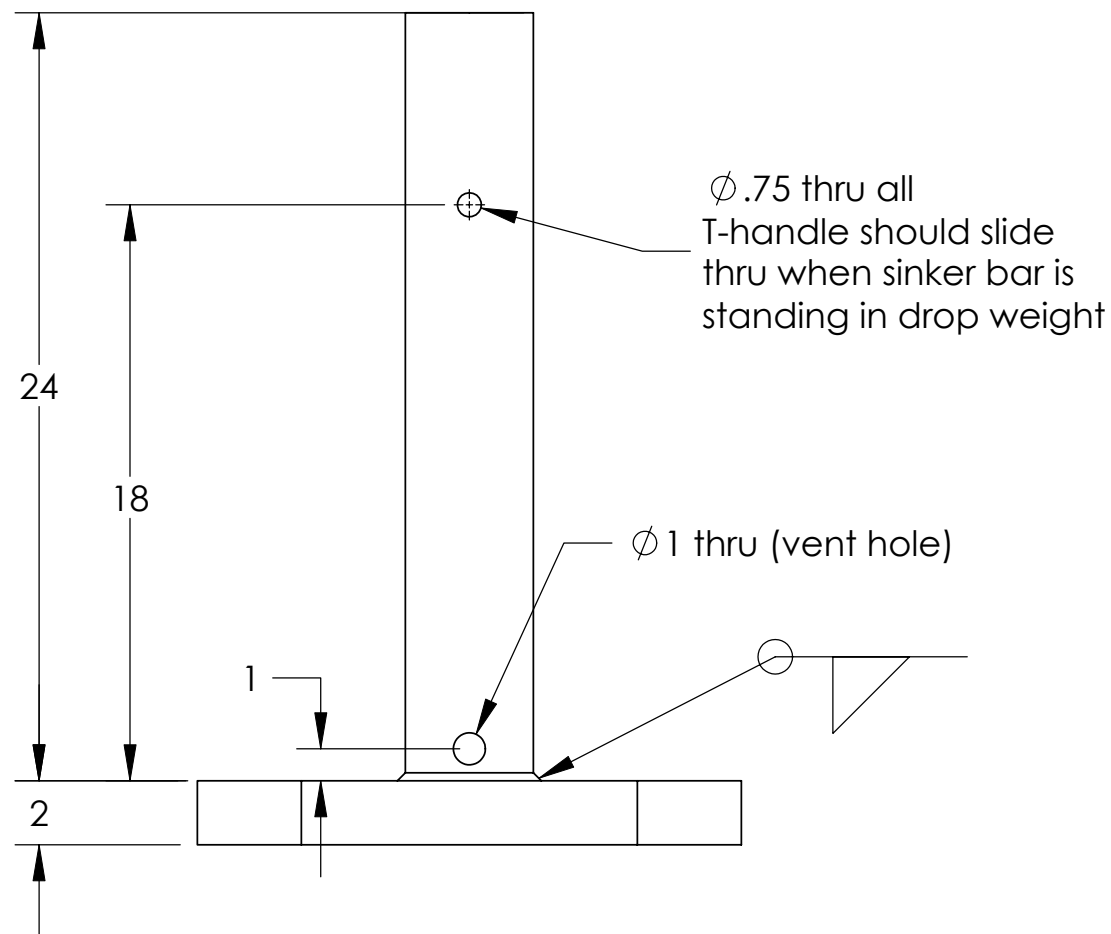
Shop / Q.C.		UNLESS OTHERWISE SPECIFIED TOLERANCES ARE:				APPROVALS	DATE	Monterey Bay Aquarium Research Institute	
Inspector		1 PLACE DIM ±.1/16	2 PLACE DIM ±.02	3 PLACE DIM ±.005	ANGLES ±1°	DRAWN	5/18/08	MBARI	
Shop Foreman		1. DIMENSIONS ARE IN INCHES				ENGINEER		7700 Sandholdt RD.	
Engineer		2. DIMENSION LIMITS HELD AFTER PLATING.				CHECKED		Moss Landing, CA 95039	
NEXT ASSY Description	NEXT ASSY Number	3. REMOVE BURRS AND SHARP EDGES .015 MAX.				PROJECT NO.	701145	PH: (831) 775-1700	
		4. MACHINED FILLET RADII .0150-.030.				PROJECT	Juan de Fuca NSF Grant	Redeployment Sinkerbar	
		5. MACHINED DIAMETERS ON A COMMON CENTERLINE CONCENTRIC WITHIN .005				SIZE	B	DWG. NO.	199jahaSinkerbar
		6. PERPENDICULARITY & PARALLELISM OF MACHINED SURFACES .002 PER INCH. MAX .012 INCHES FOR SINGLE SURFACE.				WEIGHT		REV.	A
Application		DO NOT SCALE DRAWING				SCALE	1:48	CAD FILE:	tornado/chem/SWfiles
						SHEET	1	OF	3


THE INFORMATION CONTAINED IN THIS DRAWING IS THE SOLE PROPERTY OF MBARI ANY REPRODUCTION IN PART OR WHOLE WITHOUT THE WRITTEN PERMISSION OF MBARI IS PROHIBITED.

REVISIONS			
REV.	DESCRIPTION	DATE	APPROVED
	INITIAL RELEASE		
A	Drop weight pipe size increased	5/30/08	HWJ



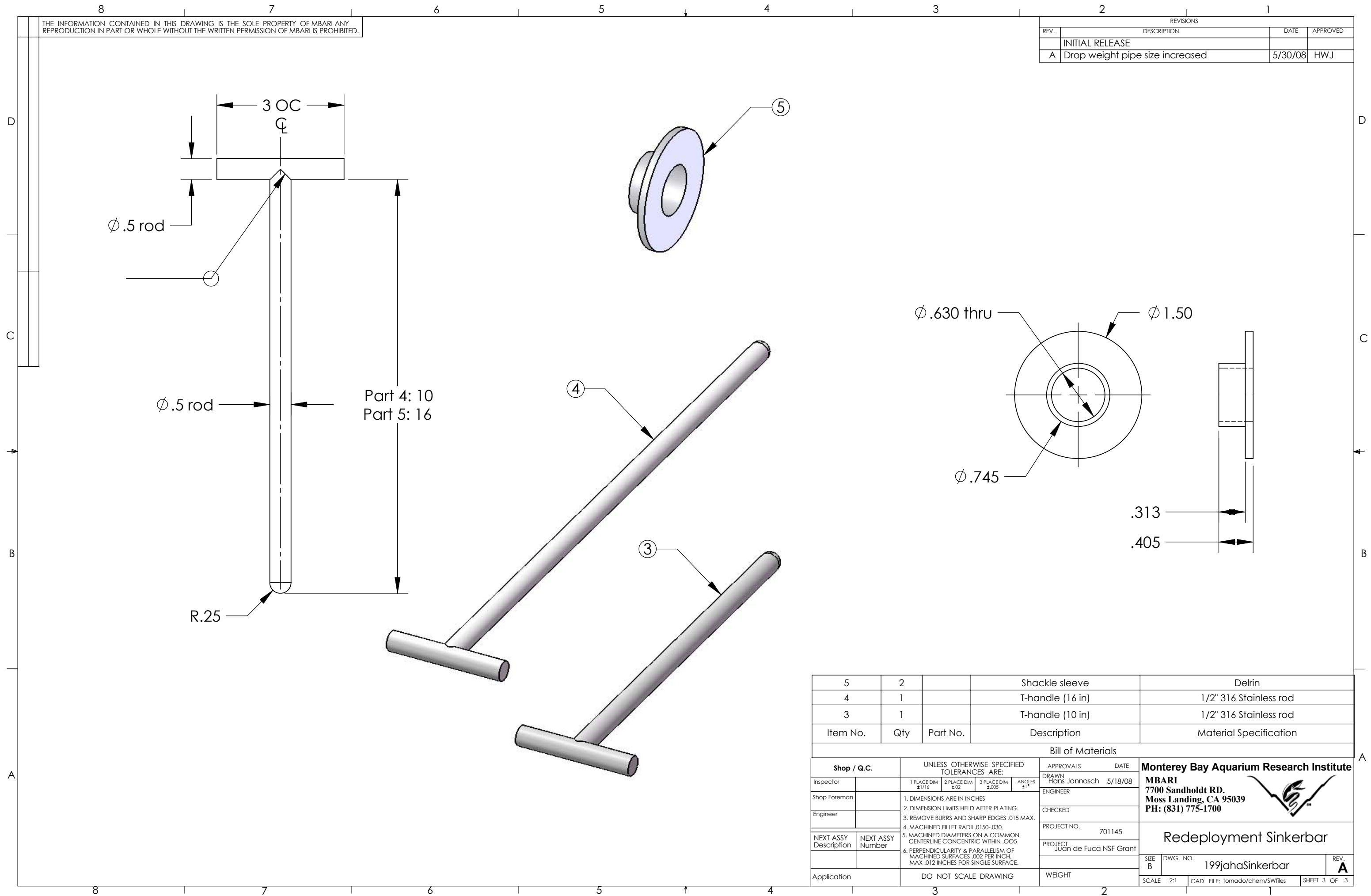
Drop Weight should weigh 173 (+/-3) lbs. in air



2	1	Drop Weight	steel					
Item No.	Qty	Part No.	Description	Material Specification				
Bill of Materials								
Shop / Q.C.		UNLESS OTHERWISE SPECIFIED TOLERANCES ARE:		APPROVALS DATE				
Inspector		1 PLACE DIM $\pm 1/16$	2 PLACE DIM $\pm .02$	3 PLACE DIM $\pm .005$	ANGLES $\pm 1^\circ$	DRAWN Hans Jannasch 5/18/08 ENGINEER	Monterey Bay Aquarium Research Institute MBARI 7700 Sandholdt RD. Moss Landing, CA 95039 PH: (831) 775-1700 	
Shop Foreman		1. DIMENSIONS ARE IN INCHES 2. DIMENSION LIMITS HELD AFTER PLATING. 3. REMOVE BURRS AND SHARP EDGES .015 MAX. 4. MACHINED FILLET RADII .0150-.030. 5. MACHINED DIAMETERS ON A COMMON CENTERLINE CONCENTRIC WITHIN .005 6. PERPENDICULARITY & PARALLELISM OF MACHINED SURFACES .002 PER INCH. MAX .012 INCHES FOR SINGLE SURFACE.				CHECKED		
Engineer		NEXT ASSY Description		NEXT ASSY Number	PROJECT NO. 701145	PROJECT Juan de Fuca NSF Grant	Redeployment Sinkerbar	
Application		DO NOT SCALE DRAWING		WEIGHT	SIZE B	DWG. NO. 199jahaSinkerbar	REV. A	
				SCALE 1:8	CAD FILE: tornado/chem/SWfiles	SHEET 2 OF 3		

THE INFORMATION CONTAINED IN THIS DRAWING IS THE SOLE PROPERTY OF MBARI ANY REPRODUCTION IN PART OR WHOLE WITHOUT THE WRITTEN PERMISSION OF MBARI IS PROHIBITED.


REVISIONS			
REV.	DESCRIPTION	DATE	APPROVED
	INITIAL RELEASE		
A	Drop weight pipe size increased	5/30/08	HWJ



Part 4: 10
Part 5: 16

Item No.	Qty	Part No.	Description	Material Specification
5	2		Shackle sleeve	Delrin
4	1		T-handle (16 in)	1/2" 316 Stainless rod
3	1		T-handle (10 in)	1/2" 316 Stainless rod

Bill of Materials

Shop / Q.C.		UNLESS OTHERWISE SPECIFIED TOLERANCES ARE:				APPROVALS	DATE	Monterey Bay Aquarium Research Institute		
Inspector		1 PLACE DIM ±1/16	2 PLACE DIM ±.02	3 PLACE DIM ±.005	ANGLES ±1°	DRAWN Hans Jannasch	5/18/08	MBARI 7700 Sandholdt RD. Moss Landing, CA 95039 PH: (831) 775-1700		
Shop Foreman		1. DIMENSIONS ARE IN INCHES 2. DIMENSION LIMITS HELD AFTER PLATING. 3. REMOVE BURRS AND SHARP EDGES .015 MAX. 4. MACHINED FILLET RADII .0150-.030. 5. MACHINED DIAMETERS ON A COMMON CENTERLINE CONCENTRIC WITHIN .005 6. PERPENDICULARITY & PARALLELISM OF MACHINED SURFACES .002 PER INCH. MAX .012 INCHES FOR SINGLE SURFACE.				ENGINEER		 Redeployment Sinkerbar		
Engineer						CHECKED				
NEXT ASSY Description	NEXT ASSY Number					PROJECT NO.	701145			
Application		PROJECT	Juan de Fuca NSF Grant	SIZE B	DWG. NO.	199jahaSinkerbar		REV. A		